



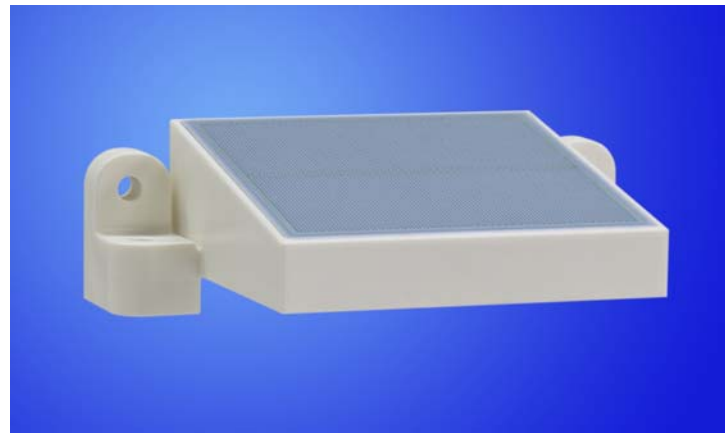
Thies CLIMA assures innovation and quality in environmental measurement



The World Of Weather Data

Rain Monitor

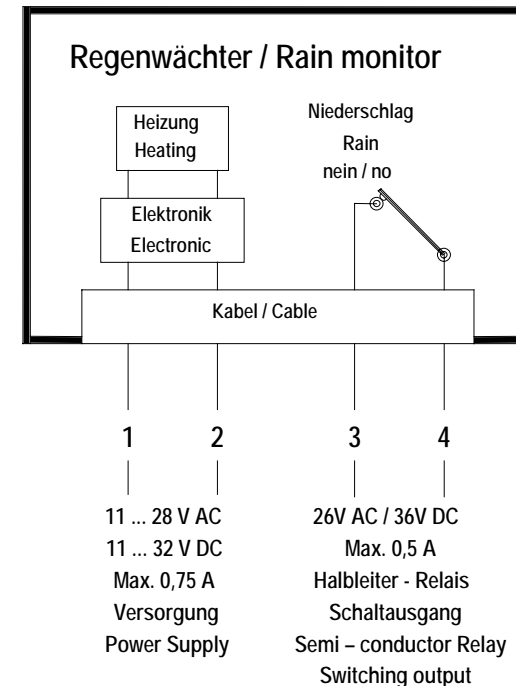
Key Features



- Operation Voltage 11...28 V AC
10...32 V DC
- 1 Output: Precipitation yes/no
26V AC / 36 V DC, max. 0.5A
- For detection of start and end of precipitation
- Usage in building automation (control units) for protecting windows, roof lights, sunblinds, awnings etc.

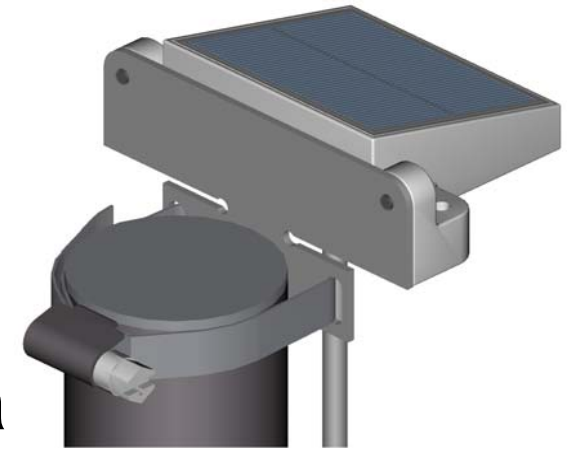
Rain Monitor Advantages

- Capacitor on glass-coated ceramic.
- Glass passivation ensures high environment-resistance
- Good long-term stability
- Resistance to aggressive media
- Automatic heating for drying and protection against bedewing and icing
- Self-cleaning effects

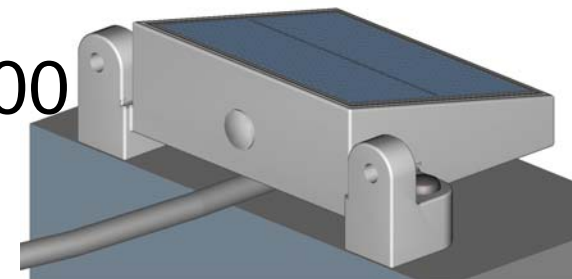


Rain Monitor

- Cost efficient
- Easy installation
- Robustness
- Good long-term stability
- High resistance to aggressive media
- Economically priced



Ordering Number: 5.4106.00.000



Please ask for your personal price quote!