

## Instruction for Use

021598/11/10

---

# *Combined Wind Transmitter*

*- with analogue output*

**4.3324.32.xxx**



## Safety Instructions

- Before operating with or at the device/product, read through the operating instructions. This manual contains instructions which should be followed on mounting, start-up, and operation. A non-observance might cause:
  - failure of important functions
  - Endangering of persons by electrical or mechanical effect
  - Damage to objects
- Mounting, electrical connection and wiring of the device/product must be carried out only by a qualified technician who is familiar with and observes the engineering regulations, provisions and standards applicable in each case.
- Repairs and maintenance may only be carried out by trained staff or **Adolf Thies GmbH & Co. KG**. Only components and spare parts supplied and/or recommended by **Adolf Thies GmbH & Co. KG** should be used for repairs.
- Electrical devices/products must be mounted and wired only in voltage-free state.
- **Adolf Thies GmbH & Co KG** guarantees proper functioning of the device/products provided that no modifications have been made to the mechanics, electronics or software, and that the following points are observed:
- All information, warnings and instructions for use included in these operating instructions must be taken into account and observed as this is essential to ensure trouble-free operation and a safe condition of the measuring system / device / product.
- The device / product is designed for a specific application as described in these operating instructions.
- The device / product should be operated with the accessories and consumables supplied and/or recommended by **Adolf Thies GmbH & Co KG** .
- Recommendation: As it is possible that each measuring system / device / product under certain conditions, and in rare cases, may also output erroneous measuring values, it is recommended using redundant systems with plausibility checks with **security-relevant applications**.

## Environment

- As a longstanding manufacturer of sensors Adolf Thies GmbH & Co KG is committed to the objectives of environmental protection and is therefore willing to take back all supplied products governed by the provisions of "*ElektroG*" (German Electrical and Electronic Equipment Act) and to perform environmentally compatible disposal and recycling. We are prepared to take back all Thies products concerned free of charge if returned to Thies by our customers carriage-paid.
- Make sure you retain packaging for storage or transport of products. Should packaging however no longer be required, arrange for recycling as the packaging materials are designed to be recycled.



## Documentation

- © Copyright **Adolf Thies GmbH & Co KG**, Göttingen / Germany
- Although this operating instruction has been drawn up with due care, **Adolf Thies GmbH & Co KG** can accept no liability whatsoever for any technical and typographical errors or omissions in this document that might remain.
- We can accept no liability whatsoever for any losses arising from the information contained in this document.
- Subject to modification in terms of content.
- The device / product should not be passed on without the/these operating instructions.

## **Contents**

1	Models.....	4
2	Range of application.....	4
3	Construction and Mode of Operation .....	5
4	Recommendation Site Selection / Standard Installation.....	5
5	Installation .....	5
5.1	Mounting of wind vane .....	6
5.2	Mounting of Cup Star .....	6
5.3	Mounting the Wind Transmitter .....	7
5.4	Electrical Mounting.....	8
5.4.1	Plug Mounting, Cable Mounting.....	8
6	Maintenance.....	8
7	Wiring diagram .....	9
8	Technical Data .....	11
9	Dimensions.....	12
10	EC-Declaration of Conformity.....	14

## **Figure**

Figure 1:	Dimension 4.3324.32.xxx .....	12
Figure 2:	Dimension 4.3324.32.841/941 .....	13

# 1 Models

Order-No.	Meas. range Wind velocity	Meas. range Wind direction	Electrical Output	Operating voltage	Model
4.3324.32.040	0,3...50 m/s	0...360°	0...20 mA	15...28 V DC or 24 V AC	Standard
4.3324.32.041	0,3...50 m/s	0...360°	4...20 mA	15...28 V DC or 24 V AC	Standard
4.3324.32.061	0,3...50 m/s	0...360°	0...10 V	15...28 V DC or 24 V AC	Standard
4.3324.32.073	0,3...50 m/s	0...360°	0...5 V	8...28 V DC or 24 V AC	Standard
4.3324.32.640	0,3...60 m/s	0...360°	0...20 mA	15...28 V DC or 24 V AC	Standard
4.3324.32.641	0,3...60 m/s	0...360°	4...20 mA	15...28 V DC or 24 V AC	Standard
4.3324.32.661	0,3...60 m/s	0...360°	0...10 V	15...28 V DC or 24 V AC	Standard
4.3324.32.673	0,3...60 m/s	0...360°	0...5 V	8...28 V DC or 24 V AC	Standard
4.3324.32.841	0,3...50 m/s	0...360°	4...20 mA	15...28 V DC or 24 V AC	"Ship version" * - short wind vane - reinforced cup star - special ball bearing
4.3324.32.941	0,3...60 m/s	0...360°	4...20 mA	15...28 V DC or 24 V AC	"Ship version" * - short wind vane - reinforced cup star - special ball bearing

\* Comb. Wind transmitters for heavy mechanical load, for ex. on ships, wind power plants or the like.

The combined wind transmitters are shipped in semi-mounted state, in order to avoid transport damages and to keep the package small.

The following parts are included in delivery:

- 1 x Combined wind transmitter, pre-mounted
- 1 x Cup star
- 1 x Wind vane
- 1 x Connecting plug
- 1 x Instruction manual

## 2 Range of application

The combined wind transmitter serves for the acquisition of the horizontal components of the wind speed and the wind direction. All measuring values are available at the outputs analogue signals . They can be transmitted to display, recording instruments, dataloggers as well as process control systems.

For winter operation the instruments are equipped with an electronically regulated heating in order to guarantee a smooth running of the ball bearings, and to avoid ice-formation at the slot of the outer rotation parts. The electrical supply of wind transmitter heating is carried out, for ex., by our power supply unit, order-no. 9.3388.00.000.

### 3 Construction and Mode of Operation

---

The housing, cup star and wind vane are made of aluminum, die the surfaces are anodized. The bow consists of stainless steel. Labyrinth seals and o-rings protect the sensitive internal parts from precipitation. The instrument is designed for mounting to a mast tube; the electrical plug connection is situated in the transmitter shaft.

A low-inertia light-metal cup star (in ball bearings) is set into rotation by the wind. The opto-electronic revolution-scanning produces a pulse frequency which is transformed into the analogue signal by means of an integrated measuring transducer.

The wind direction is acquired by means of an inertia-free wind vane. The axis of the wind vane is running in ball bearings and carries a diametrically magnetized magnet at the inner end. The angle position of the axis is scanned contact-free by a TMR- Sensor (Tunnel Magneto Resistance) through the position of the magnet field. As signal this sensor outputs two cosine- and sinus-depending voltages. The connected micro-controller calculates from this voltages the wind direction and provides the respective result as **analogue output signal**.

### 4 Recommendation Site Selection / Standard Installation

---

In general, wind measurement instruments should be able to detect wind conditions over a broad range. In order to obtain comparative values of the surface wind, measurements should be taken at a height of 10m above a flat, open terrain. Open terrain means that the distance between the wind transmitter and an obstacle is at least 10 times greater than the height of the obstacle itself. If this requirement cannot be fulfilled, then set the wind transmitter up at a height where the influence of local obstacles on the measured values is minimal (about 6 - 10 m above the level of the obstacle). If the wind transmitter is set up on a flat roof, then place it in the center of the roof and not at the edge in order to avoid privileged directions.

### 5 Installation

---

**Attention:**

*Storing, mounting and operation under weather conditions is permissible only in vertical position, as otherwise water can get into the instrument.*

**Remark:**

*When using fastening adapters (angle, traverses, hangers etc.) please take a possible effect by turbulences into consideration.*

---

---

**Remark:**

A **Lightning Rod** Order-No. **4.3100.99.000** is recommended if the instrument is to be used in areas with considerable lightning activity.

---

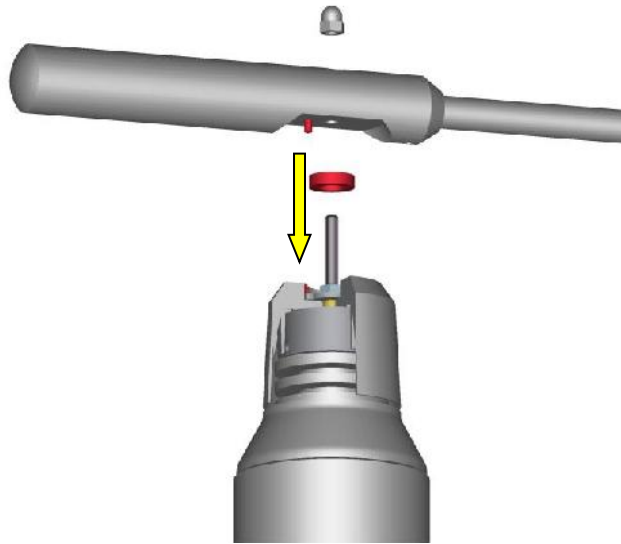
## 5.1 Mounting of wind vane

### Tools

- Screw wrench SW 8

### Mounting of wind vane

1. Remove wind transmitter housing and wind vane from the packing.
2. Screw off cap nut (SW 8) The gasket remains in the protective cap
2. Mounting of wind vane acc. to figure. The dowel at the wind vane must catch the notch of the protective cap. The cap nut is to be screwed tightly.



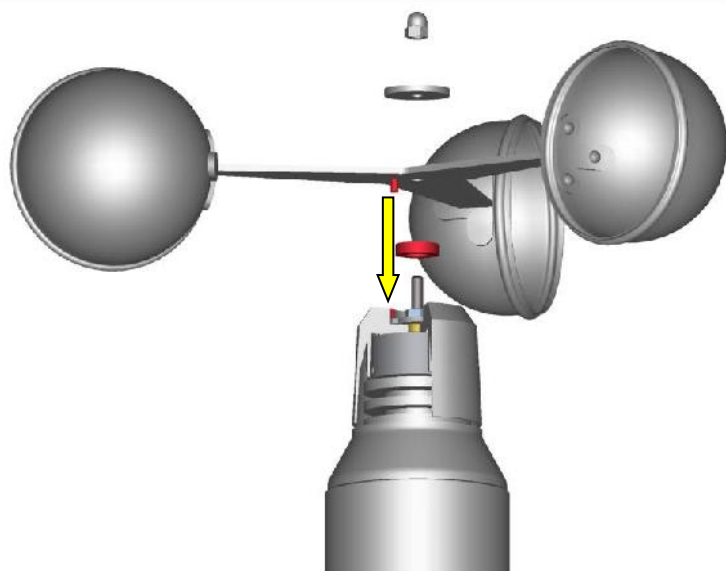
## 5.2 Mounting of Cup Star

### Tools

- Screw wrench SW 8

### Mounting

1. Remove cup star from the packing.
2. Screw-off cap nut (SW 8) and remove disc. .  
The gasket remains in the protective cap.
1. Mounting of cup star acc. to figure.  
The dowel at the cup star cross must catch the notch of the protective cap. The cap nut is to be screwed tightly.



### 5.3 Mounting the Wind Transmitter

The transmitter can be mounted onto a tube of R 1 1/2" (  $\approx$  48,3 mm), 50 mm long. The internal diameter of the mounting tube must be at least 40 mm since the transmitter will be plugged into an electrical system from below. Solder a cable onto the enclosed plug (see chapter 5.4). After electrical connection, set the wind transmitter onto the tube. North marking and bow shall indicate to the North.

#### ***North Alignment***

Rotate the case markings (north marking) on the shaft and on the protective cap until they are aligned. Then select an obvious point in a northerly direction in the surroundings (a tree, a building etc.) with the aid of a compass. Take a bearing on this point over the wind vane and the counter weight of the wind direction transmitter, and when these coincide screw the wind transmitter into place. (the north marking must indicate to the geographic north). The instrument is fixed on the shaft by means of the two hexagon head screws.

#### ***Alignment of the comb. Wind Transmitter on a Ship***

- The reference point for the wind transmitter is the roll-axis of the ship, whereat "0°" is related to the **ship bow**.

Rotate the case markings (north marking) on the shaft and on the protective cap until they are aligned. Take a bearing on ship bow over the wind vane and the counter weight of the wind direction transmitter, and when these coincide screw the wind transmitter into place. (the north marking must indicate to the geographic north).

When aligning the comb. wind transmitter on other mobile objects (for ex. vehicles, wind power plants etc.) this procedure can be adopted

## 5.4 Electrical Mounting

A shielded cable with a diameter of 6..8 mm and a core section of 0,5...0,75 mm<sup>2</sup> must be soldered on to the enclosed coupling socket.

The number of required cores, and the PIN assignment is stated in the connection diagram (chapter 7).

- Cable recommendation: Type LIYCY 7 x 0.5 mm<sup>2</sup>, Ø 8 mm

### 5.4.1 Plug Mounting, Cable Mounting

Coupling socket 211 194, 7-pol., (Binder, Serial 423), EMC with cable clamp	
<ol style="list-style-type: none"> <li>1. Stringing parts on cable acc. to plan given above.</li> <li>2. Stripping cable sheath 20 mm Cutting uncovered shield 15 mm Stripping wire 5mm.</li> </ol> <p><i>Cable mounting 1</i> Putting shrink hose or insulating tape between wire and shield.</p> <p><i>Cable mounting 2</i> If cable diameter permits, put the shield backward on the cable sheath.</p> <ol style="list-style-type: none"> <li>3. Soldering wire to the insert, positioning shield in cable clamp.</li> <li>4. Screwing-on cable clamp.</li> <li>5. Assembling remaining parts acc. to upper plan.</li> <li>6. Tightening pull-relief of cable by screw-wrench (SW16 und 17).</li> </ol>	<p><i>Cable mounting 1</i> View X</p> <p><i>Cable mounting 2</i> View X</p>

## 6 Maintenance

If the instrument has been properly mounted, no maintenance is required. Heavy pollution can clog the slits between the rotating and stationary parts of the instrument. These slits must always be clean and unclogged.

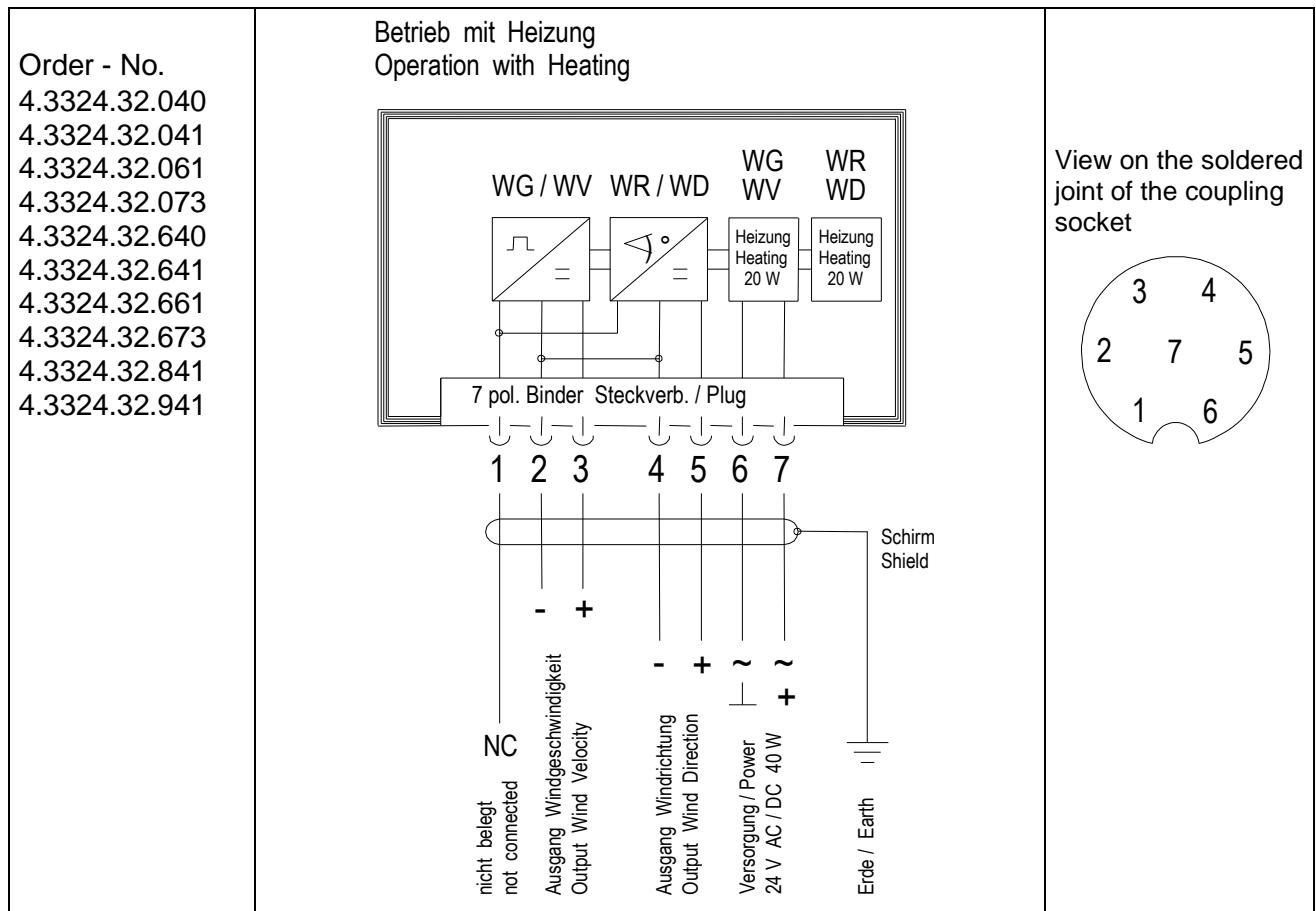
After years of use, the ball bearings can suffer from wear and tear. This is expressed in a higher starting torque respectively in the fact that the cup anemometer does not start rotating. If such a defect occurs, we recommend that you return the instrument to the factory for repair.



## 7 Wiring diagram

**Remark:**

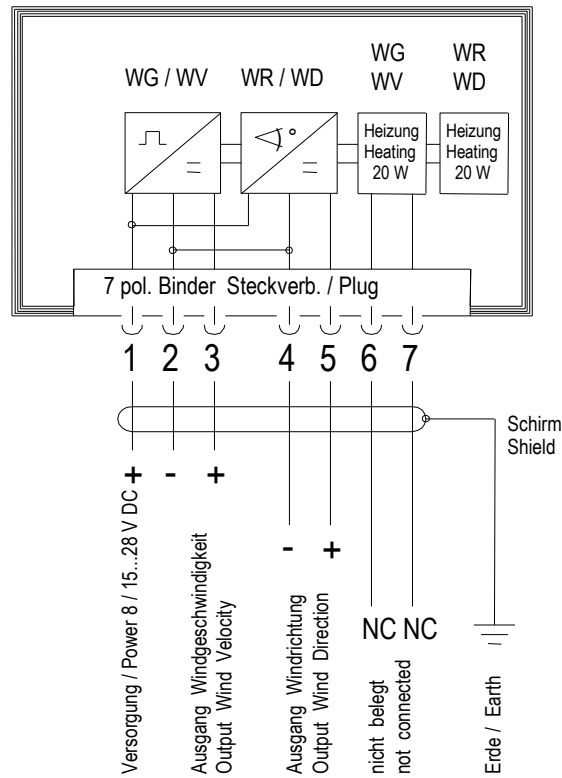
- The cable shield should be connected on both sides (to the plug of the wind transmitter and to the data logging) in case the data logging or the like is on the same electrical potential.
- The cable shield should be connected on one side (only to the data logging) in case there are potential differences between wind transmitter and data logging.



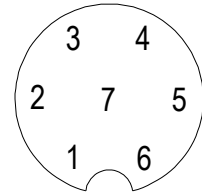
Order - No.

- 4.3324.32.040
- 4.3324.32.041
- 4.3324.32.061
- 4.3324.32.073
- 4.3324.32.640
- 4.3324.32.641
- 4.3324.32.661
- 4.3324.32.673
- 4.3324.32.841
- 4.3324.32.941

Betrieb ohne Heizung  
Operation without Heating



View on the soldered joint of the coupling socket



## 8 Technical Data

	<b>4.3324.32.040</b> <b>4.3324.32.041</b> <b>4.3324.32.061</b> <b>4.3324.32.073</b> <b>4.3324.32.640</b> <b>4.3324.32.641</b> <b>4.3324.32.661</b> <b>4.3324.32.673</b>	<b>4.3324.32.841</b> <b>4.3324.32.941</b>
<b>Wind Velocity</b>		
Meas. range	0...50 / 60 m/s (= mA / V) see models (chapter 1)	0...50 / 60 m/s (= mA) see models (chapter 1)
Start-up	0.3 m/s	>0.3 m/s
Accuracy	±0.4 m/s resp. 2.5 % from meas. value	±0.5 m/s resp. 2.5 % from meas. value
Distance constant	5 m	5 m
<b>Wind Direction</b>		
Meas. range	0...360° (= mA / V) see models (chapter 1)	0...360° (= mA) see models (chapter 1)
Start-up	<0.6 m/s at 90° vane move	<1 m/s at 90° vane move
Accuracy	±1.5°	±1.5°
Resolution	0.35°	0.35°
Damping ratio (acc. to ASTM D 5366-96)	D > 0.3	-----
<b>General</b>		
Electrical outputs	No. see models available 0...20 mA @ ≤ 400 Ω, U <sub>B</sub> ≥ 12V 4...20 mA @ ≤ 400 Ω, U <sub>B</sub> ≥ 12V 0...5 V @ ≥ 2000 Ω, U <sub>B</sub> ≥ 8V 0...10 V @ ≥ 2000 Ω, U <sub>B</sub> ≥ 12V	No. see models available 4...20 mA @ ≤ 400 Ω, U <sub>B</sub> ≥ 12 V
Max. wind load	60 m/s	75 m/s (max. 30 min.)
Ambient temperature	-35...+80°C	-35...+80°C
Operating voltage with Heating without Heating	24 V DC/AC, ca. 40 W, electronically regulated 8 / 15...28 V DC	24 V DC/AC, ca. 40 W, electronically regulated 15...28 V DC
Protection	IP 55	IP 55
Wind load at 35 m/s	approx. 50 N	approx. 50 N
Mounting	onto mast tube 1 ½", for ex. DIN 2441	onto mast tube 1 ½", for ex. DIN 2441
Connection	7-pole plug connection in the shaft	7-pole plug connection in the shaft
Weight	2.8 kg	2.8 kg
Model	Standard	"Ship version" - short wind vane - reinforced cup star - special ball bearing

## 9 Dimensions

---

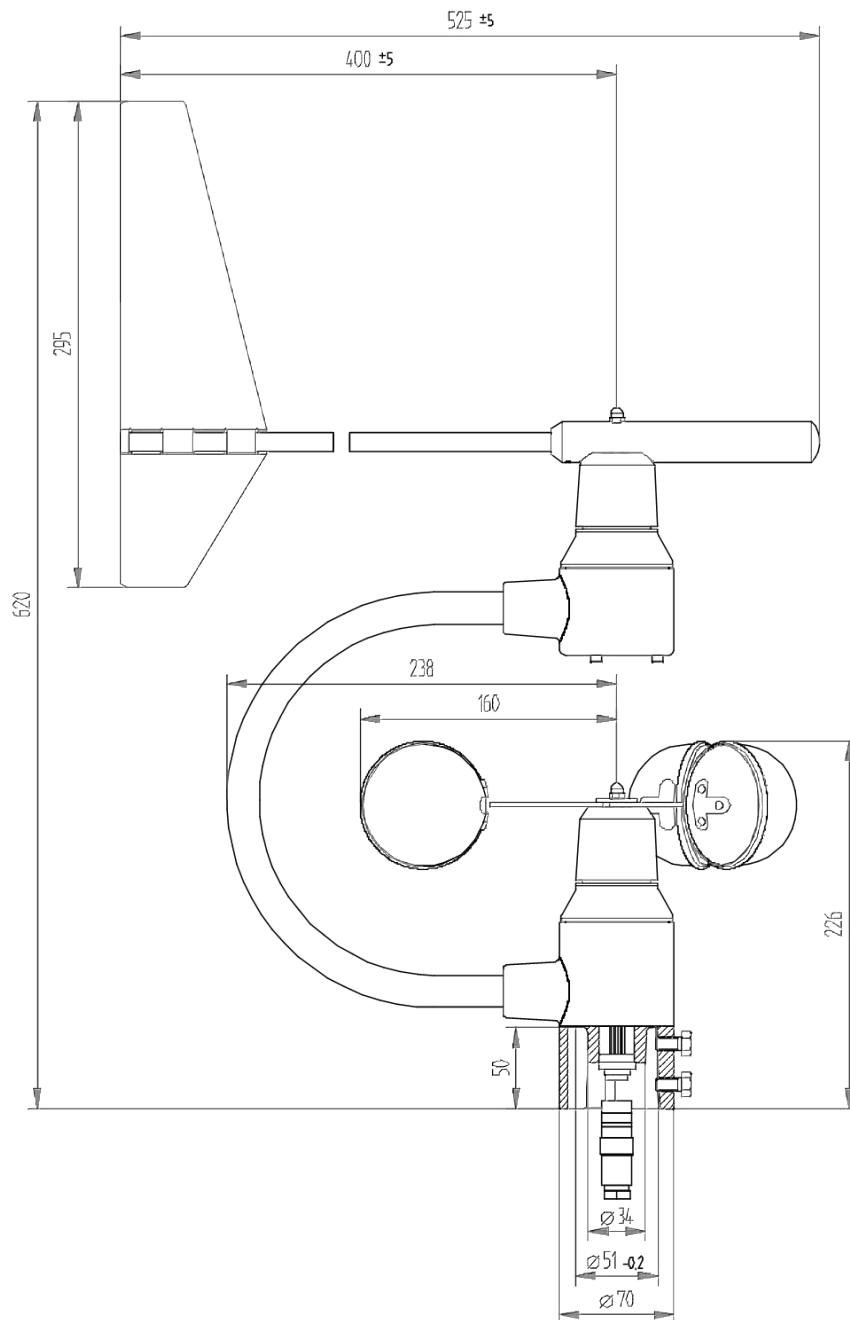
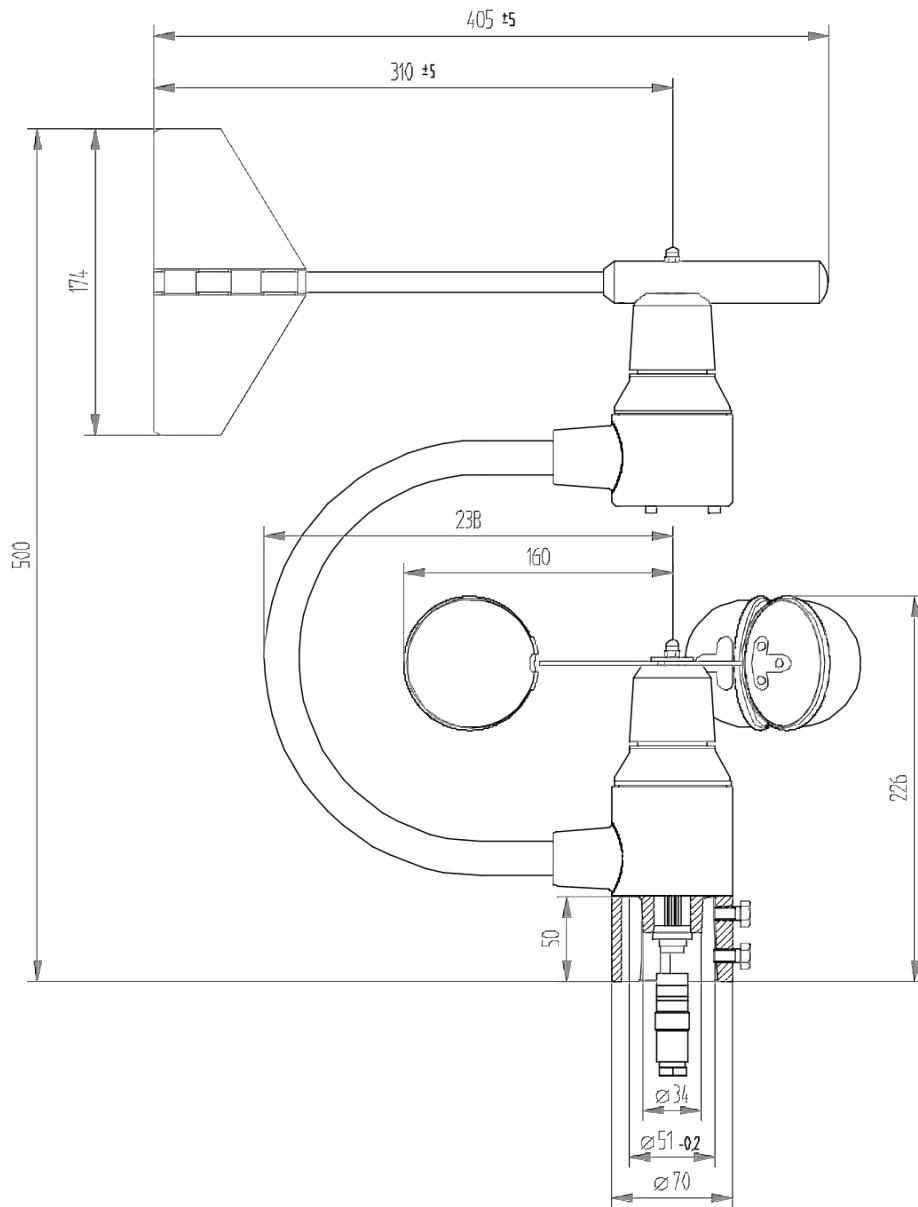


Figure 1: Dimension 4.3324.32.xxx



**Figure 2: Dimension 4.3324.32.841/941**

# 10 EC-Declaration of Conformity

Document-No.: 000438 Month: 06 Year: 16

Manufacturer: **ADOLF THIES GmbH & Co. KG**

Hauptstr. 76  
D-37083 Göttingen  
Tel.: (0551) 79001-0  
Fax: (0551) 79001-65  
email: Info@ThiesClima.com

This declaration of conformity is issued under the sole responsibility of the manufacturer

Description of Product: **Wind Direction Transmitter, Combined Wind Transmitter**

Article No.	<b>4.3125.33.040</b>	<b>4.3125.33.041</b>	<b>4.3125.33.060</b>	<b>4.3125.33.061</b>
	<b>4.3125.33.073</b>	<b>4.3125.33.841</b>		
	<b>4.3324.32.040</b>	<b>4.3324.32.041</b>	<b>4.3324.32.061</b>	<b>4.3324.32.073</b>
	<b>4.3324.32.640</b>	<b>4.3324.32.641</b>	<b>4.3324.32.661</b>	<b>4.3324.32.673</b>
	<b>4.3324.32.841</b>	<b>4.3324.32.941</b>		

specified technical data in the document: **021588/02/09; 021597/11/10**

The indicated products correspond to the essential requirement of the following European Directives and Regulations:

2014/30/EU	DIRECTIVE 2014/30/EU OF THE EUROPEAN PARLIAMENT AND OF THE COUNCIL of 26 February 2014 on the harmonisation of the laws of the Member States relating to electromagnetic compatibility
2014/35/EU	DIRECTIVE 2014/35/EU OF THE EUROPEAN PARLIAMENT AND OF THE COUNCIL of 26 February 2014 on the harmonisation of the laws of the Member States relating to the making available on the market of electrical equipment designed for use within certain voltage limits
552/2004/EC	Regulation (EC) No 552/2004 of the European Parliament and the Council of 10 March 2004 on the interoperability of the European Air Traffic Management network (the interoperability Regulation)
2011/65/EU	DIRECTIVE 2011/65/EU OF THE EUROPEAN PARLIAMENT AND OF THE COUNCIL of 8 June 2011 on the restriction of the use of certain hazardous substances in electrical and electronic equipment
2012/19/EU	DIRECTIVE 2012/19/EU OF THE EUROPEAN PARLIAMENT AND OF THE COUNCIL of 4 July 2012 on waste electrical and electronic equipment (WEEE)

The indicated products comply with the regulations of the directives. This is proved by the compliance with the following standards:

EN 61000-6-2	Electromagnetic compatibility Immunity for industrial environment
EN 61000-6-3	Electromagnetic compatibility Emission standard for residential, commercial and light industrial environments
EN 61010-1	Safety requirements for electrical equipment for measurement, control, and laboratory use. Part 1: General requirements
EN 50581	Technical documentation for the assessment of electrical and electronic products with respect to the restriction of hazardous substances

Place: Göttingen

Date: 06.06.2016

Signed for and on behalf of:

<b>Legally binding signature:</b>  Thomas Stadie, General Manager Sales	<b>issuer:</b>  Joachim Beinhorn, Development Manager
--	---

This declaration certifies the compliance with the mentioned directives, however does not include any warranty of characteristics. Please pay attention to the security advises of the provided instructions for use.





Official BeNeLux distributor: [www.catec.nl](http://www.catec.nl)

