

QUICK GUIDE

EE8915 - CO₂ Sensor for Railway Applications

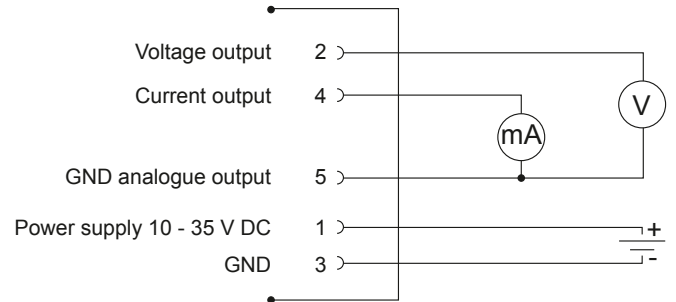
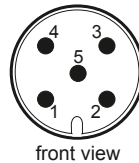
(Full User Guide at www.epluse.com/EE8915)

CONNECTION DIAGRAM

FIX INSTALLED CABLE

Core number	Function
1	10 – 35 V DC supply
2	GND supply
3	GND analogue output
4	Current output
5	Voltage output

M12 CONNECTOR



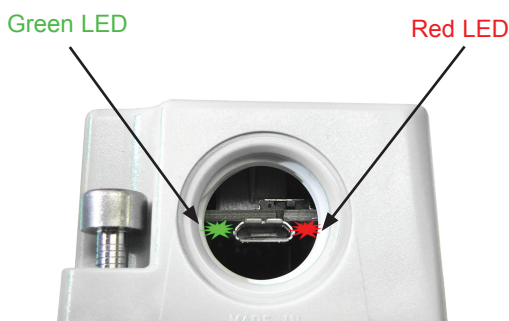
Very important: For failure-free operation and performance according to the specs, the GND supply and the GND analogue output must be wired separately.

ERROR INDICATION ON THE ANALOGUE OUTPUT

The EE8915 features an error indication on the analogue output according to NAMUR recommendations (factory setting: disabled). The feature can be enabled with the EE-PCS Product Configuration Software, see full user guide at www.epluse.com/EE8915.

Output signal	NAMUR signal level
0-5 V	5.25 V
0-10 V	10.5 V
4-20 mA	20.8 mA
0-20 mA	21 mA

STATUS LEDs



Green LED

flashing = Normal operation

Red LED

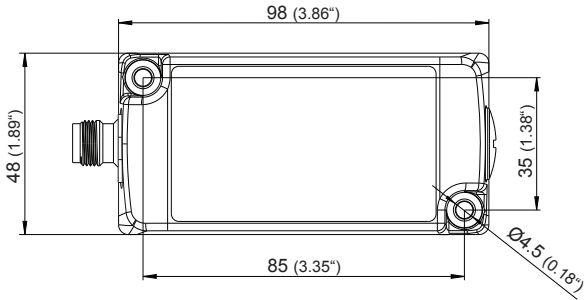
off = Normal operation

on = Failure. Contact E+E after sales service.

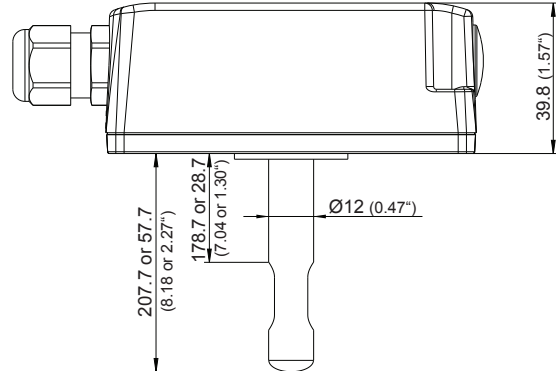
flashing = Failure. Also indicated on the analogue output (NAMUR indication enabled). The failure might be temporary, caused for instance by overheating. If the flashing persists, contact E+E after sales service.

DIMENSIONS

WALL MOUNT



DUCT MOUNT



INSTALLATION

WALL MOUNT

Choose a location which minimizes the dust deposits on the filter.

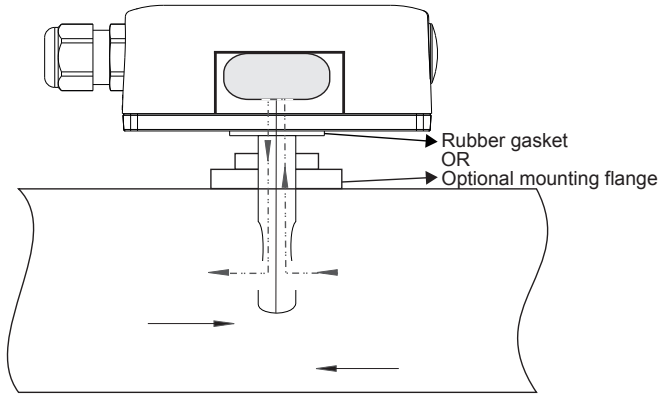
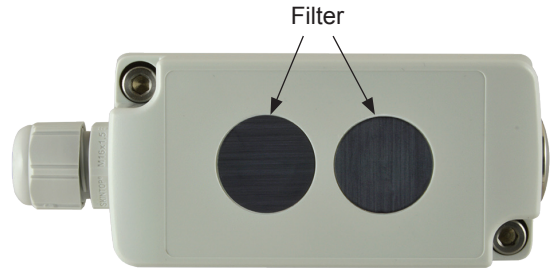
DUCT MOUNT

When correctly installed, a small amount of air will flow through the divided probe into the EE8915 enclosure, where the CO₂ sensing cell is located, and back into the duct.

Very important

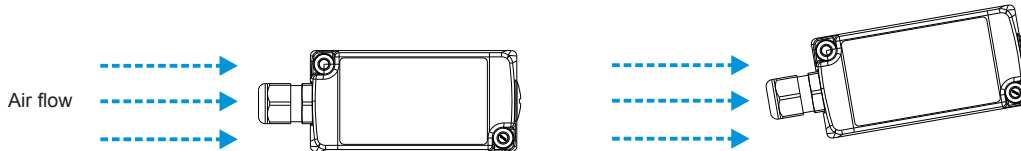
For accurate measurement and response time according to specification:

- Minimum air speed in the duct shall be 1 m/s (196 ft/m).
- The air flow shall be perpendicular to the opening holes on the head of probe.



CORRECT

INCORRECT



INFORMATION

+43 7235 605 0 / info@epluse.com

E+E Elektronik Ges.m.b.H.
 Langwiesen 7 • A-4209 Engerwitzdorf
 Tel: +43 7235 605-0 • Fax: +43 7235 605-8
info@epluse.com • www.epluse.com

LG Linz Fn 165761 t • UID-Nr. ATU44043101
 Place of Jurisdiction: A-4020 Linz • DVR0962759

